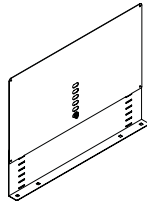
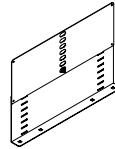


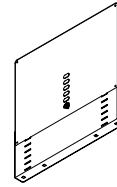
Short 32" Shelf Divider



Tall 32" Shelf Divider



Short 24" Shelf Divider



Tall 24" Shelf Divider

CONTENTS

Safety	2
General	2
Installation	2
Warranty	2
Important User Information	3
Installation	3
Intended Use	3
Shelf Divider Installation	4
Shelf Divider Height Adjustment	5
Replacement Parts List	6
Short 32" Shelf Divider Accessory	6
Tall 32" Shelf Divider Accessory	6
Short 24" Shelf Divider Accessory	6
Tall 24" Shelf Divider Accessory	6

Note: Please read and understand the Shelf Divider Accessory Owner's Manual before attempting installation, assembly, or use.

Note: Remove all items from the shipping containers and sort the components by type, size, etc. Refer to the illustrations on the following pages. If you need additional information about your Shelf Divider Accessory, contact the Wenger Corporation using the information listed below.


SAFETY

Throughout this manual you will find **Cautions** and **Warnings** which are defined as follows.

- **Warning** means that failure to follow the instruction may result in serious injury or death.
- **Caution** means that failure to follow the instruction may result in injury or damage to property.


Read and understand the following safety instructions before using or installing any Gearboss Accessory.

GENERAL

 CAUTION
<i>Installation and use of the Gearboss Accessories must always comply with the information in the "Important End User Information, Intended Use" section on page 3 of this manual.</i>

 CAUTION
<i>When using the Gearboss Accessories, always observe and comply with Warnings and Cautions posted on the system equipment.</i>

INSTALLATION

 CAUTION
<i>Make sure that anyone who helps assemble the Gearboss Shelf Divider Accessory has read and understands this manual.</i>

WARRANTY

The Gearboss Shelf Divider Accessory is guaranteed free of defects in materials and workmanship for five full years.

Our guarantee assures you of either a full refund or repair or replacement of the defective materials or workmanship without charge, at the discretion of our Customer Service Department. Just call a Customer Service Representative at 1-800-887-7145 and state the reason you are dissatisfied. If a product return is necessary, your representative will issue a return authorization. This is your sole remedy for breach of this warranty.

Should you have a question or problem with any Wenger product, don't hesitate to call, even if the product is past warranty. It's important to us that all our customers be satisfied.

This is the sole warranty made by Wenger. Wenger disclaims all other warranties, including the warranties of merchantability and fitness for a particular purpose, as well as all liability for incidental, consequential, special, and indirect damage. Wenger liability for direct damages shall be limited to the amount you paid for the product involved. Wenger reserves the right to make product changes without obligation to incorporate such changes into products previously sold.

Some states do not allow the exclusion or limitation of damages or warranties, so the above may not apply to you. This warranty gives you specific legal rights. You may also have other rights which vary from state to state.

IMPORTANT USER INFORMATION

INSTALLATION

- The Gearboss Shelf Divider Accessory installation must comply with local building regulations and codes.
- Personnel installing the Gearboss Shelf Divider Accessory must comply with the Warnings and Cautions in the Safety Section.

INTENDED USE

- The Gearboss Shelf Divider Accessory is intended for indoor use in normal ambient temperature and humidity conditions — it must not be exposed to prolonged outside weather conditions.
- The Gearboss Shelf Divider Accessory is intended to be installed only as described in this manual.

SHELF DIVIDER INSTALLATION

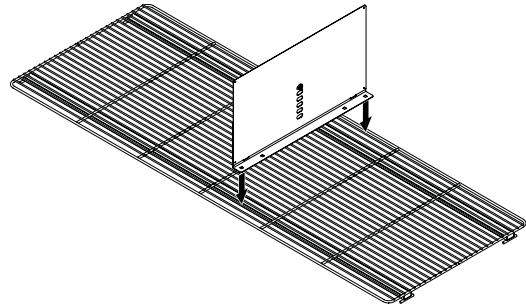
NOTE: The Shelf Divider is designed to be used with the Wire Shelf Accessory.

NOTE: Shelf Divider installation is the same for all Shelf Divider sizes.

Two 24-inch Storage Shelves can be installed end-to-end on a 48-inch Cart.

To attach the Shelf Divider:

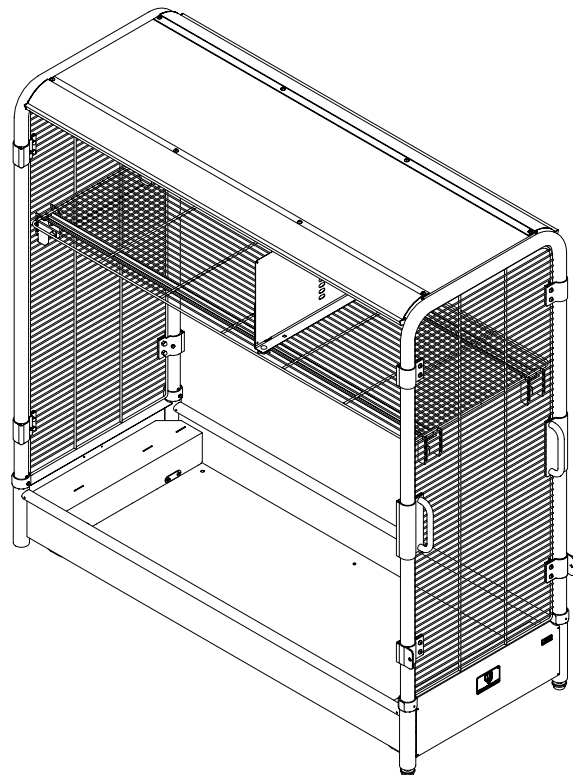
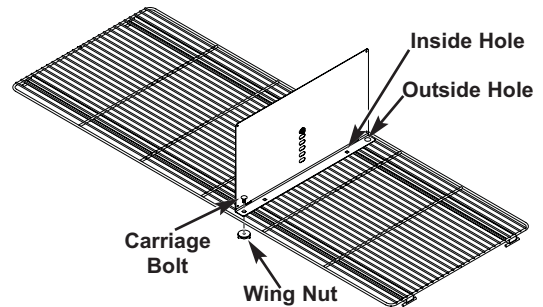
1. Place the Shelf Divider at the desired location on the Wire Shelf.



2. Insert the Carriage Bolt through an outside square hole in the Shelf Divider and secure with a Wing Nut.

NOTE: Use an inside square hole if a Shelf Lip Accessory is installed.

3. Repeat for the other end of the Shelf Divider.

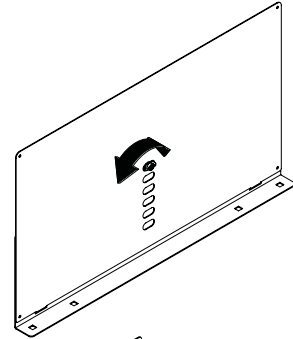


SHELF DIVIDER HEIGHT ADJUSTMENT

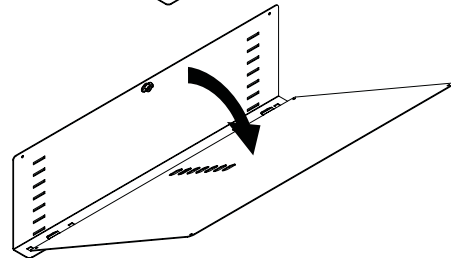
NOTE: Short Shelf Dividers are adjustable from 8" to 14" high.
Tall Shelf Dividers are adjustable from 15" to 20" high.

To adjust the height of the Shelf Divider:

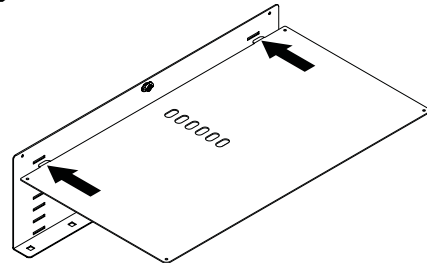
1. Twist the knob at the center of the shelf to unlock the Top Panel.



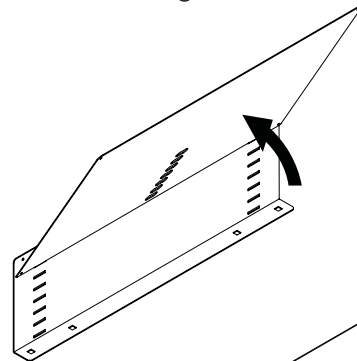
2. Lower the top half of the Top Panel and remove from the Shelf Divider Base.



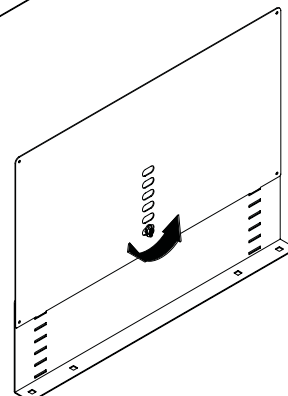
3. Insert the Top Panel tabs into the slots of the Shelf Divider Base at the desired height.



4. Raise top half of the Top Panel.



5. Twist the knob at the center of the shelf again to lock the height in place.

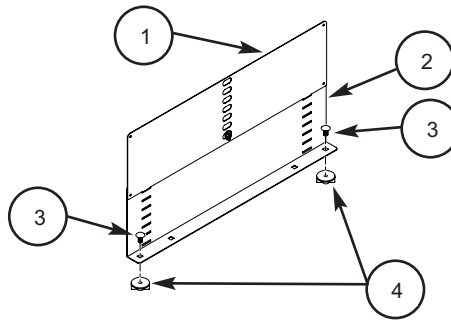


REPLACEMENT PARTS LIST

SHORT 32" SHELF DIVIDER ACCESSORY

Note: The following parts are contained in the Short 32" Shelf Divider Accessory Carton. Contact Wenger for replacement part information.

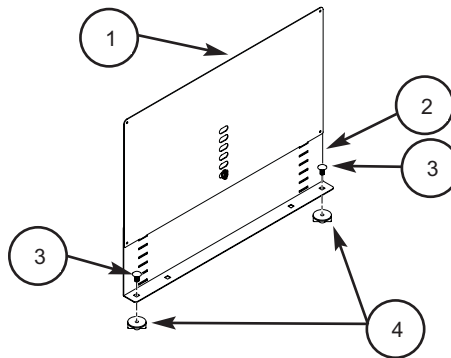
<u>Item</u>	<u>Qty</u>	<u>Description</u>
1	1	Short 32" Top Panel
2	1	32" Shelf Divider Base
3	2	Carriage Bolt
4	2	Wing Nut



TALL 32" SHELF DIVIDER ACCESSORY

Note: The following parts are contained in the Tall 32" Shelf Divider Accessory Carton. Contact Wenger for replacement part information.

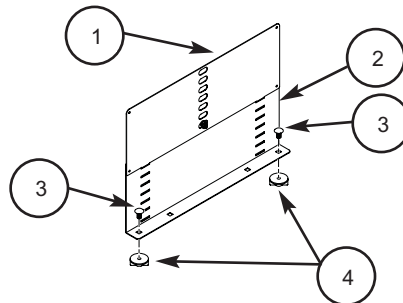
<u>Item</u>	<u>Qty</u>	<u>Description</u>
1	1	Tall 32" Top Panel
2	1	32" Shelf Divider Base
3	2	Carriage Bolt
4	2	Wing Nut



SHORT 24" SHELF DIVIDER ACCESSORY

Note: The following parts are contained in the Short 24" Shelf Divider Accessory Carton. Contact Wenger for replacement part information.

<u>Item</u>	<u>Qty</u>	<u>Description</u>
1	1	Short 24" Top Panel
2	1	24" Shelf Divider Base
3	2	Carriage Bolt
4	2	Wing Nut



TALL 24" SHELF DIVIDER ACCESSORY

Note: The following parts are contained in the Tall 24" Shelf Divider Accessory Carton. Contact Wenger for replacement part information.

<u>Item</u>	<u>Qty</u>	<u>Description</u>
1	1	Tall 24" Top Panel
2	1	24" Shelf Divider Base
3	2	Carriage Bolt
4	2	Wing Nut

